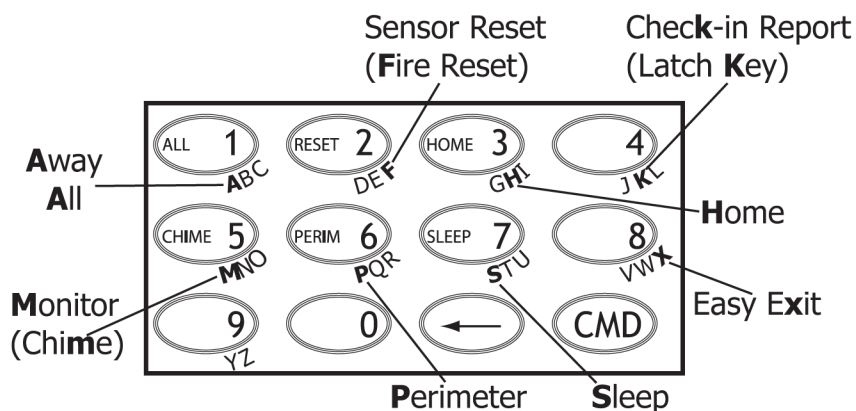
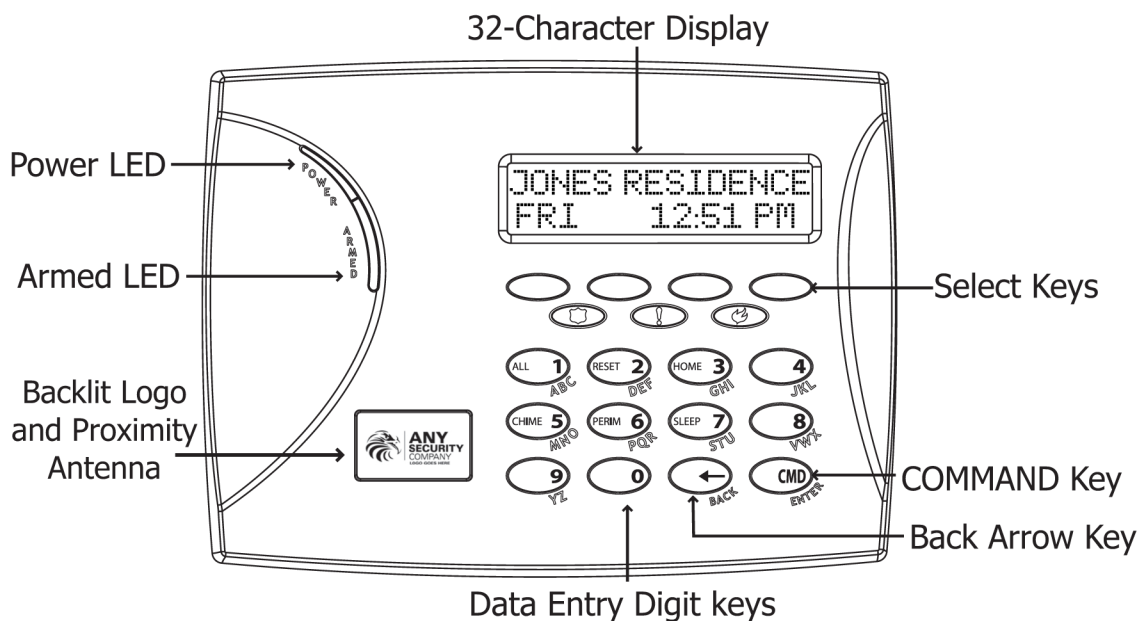


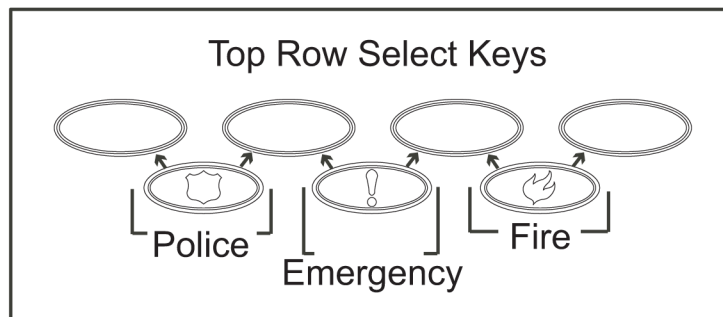
This quick reference guide is for use with DMP XT30/XT50 Series, XRSuper6, XR20 and XR40 panels.



- | Keypad Key | Arming System Operation |
|-------------|---|
| Press Key 1 | Arm <u>A</u> ll or <u>A</u> way for Home/Sleep/Away systems |
| Press Key 2 | Sensor (<u>F</u> ire) Reset on all systems |
| Press Key 3 | Arm <u>H</u> ome for Home/Sleep/Away systems |
| Press Key 4 | Check- <u>i</u> n Report on all systems |
| Press Key 5 | <u>M</u> onitor (Chime) on all systems |
| Press Key 6 | Arm <u>P</u> erimeter for All/Perimeter systems |
| Press Key 7 | Arm <u>S</u> leep for Home/Sleep/Away systems |
| Press Key 8 | Easy <u>E</u> xit for Home/Sleep/Away systems |



Checking Zone status before ARMING	If one or more zones are not in a normal condition, the keypad displays SYSTEM NOT READY. Pressing any Select Key during this display shows the zone names that are NOT READY.
ARM System	<ol style="list-style-type: none"> 1. Enter your user code. The keypad displays ALL PERIM or HOME SLEEP AWAY 2. Select HOME or PERIM to arm the Perimeter only 3. Select SLEEP to arm the Perimeter and Interior (except bedroom areas). 4. Select ALL or AWAY to arm the Perimeter, Interior, and Bedroom. 5. If a problem exists on any zones, the zone name and problem display followed by: OKAY BYPASS STOP. <ol style="list-style-type: none"> a. Select OKAY to force arm the zone(s) before arming. b. Select BYPASS to bypass the zone(s) before arming. c. Select STOP to stop the system from arming. Correct and return to step 1. 6. The keypad next displays EXIT: ## INSTNT and begins to count down the number of seconds remaining for you to exit. 7. You can select INSTNT while EXIT: ## INSTNT displays to immediately arm all zones and remove entry/exit delay.
DISARM All Areas	Enter your user code to disarm the system.
DISARM All Areas (while in alarm)	<ol style="list-style-type: none"> 1. Enter your user code 2. Keypad displays CANCEL VERIFY 3. If alarm is false, press Select key under CANCEL to cancel alarm. 4. If the alarm is valid or you are unsure of the cause of alarm, press the Select key under VERIFY to alert the Monitoring Center that you verify the alarm they just received.
Quick Arm HOME or PERIM	Press Key 3 for 2 seconds to arm the perimeter.
Quick Arm AWAY or ALL	Press Key 1 for 2 seconds.
Quick Arm SLEEP	Press Key 7 for 2 seconds to arm the perimeter and interior areas and leave the bedroom area off.
Turn Chime (monitor) on/off.	Press Key 5 Chime (Monitor)
Sensor Reset	Press Key 2 for 2 seconds, then enter your user code if required to reset the system.



Your keypad may be configured to manually send a Panic, Emergency, or Fire alarm to the central station:	
Police Alarm	Press and hold the two Select keys adjacent to the Police button for 2 seconds, until a beep from the keypad is heard.
Emergency Alarm	Press and hold the two Select keys adjacent to the Emergency button for 2 seconds, until a beep from the keypad is heard.
Fire Alarm	Press and hold the two Select keys adjacent to the Fire button for 2 seconds, until a beep from the keypad is heard.